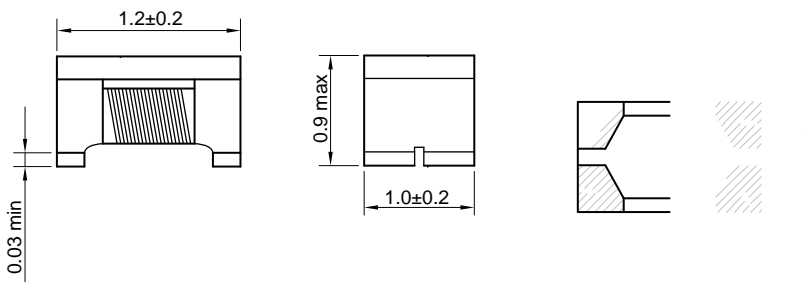




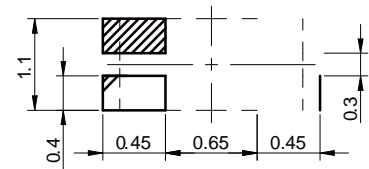
Common Mode Filters For Automotive Signal Line Size 1210

-
- Common mode filters for Signal Line
-
- Compliant with AEC-Q200
- Quantity: 3000pcs
-
- interfaces (MOST, IDB-1394, etc.)

Dimensions: [mm]



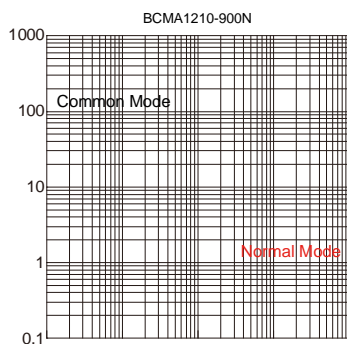
Land Pattern: [mm]



Electrical Properties:

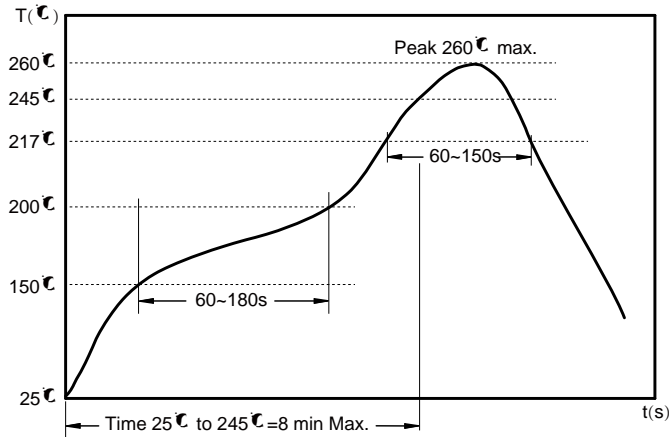
±25%

Typical Electrical Characteristics:





Soldering Reflow:



Preheat condition: $150 \sim 200^{\circ}\text{C} / 60 \sim 180 \text{ sec.}$

Allowed time above 217°C : $60 \sim 150 \text{ sec.}$

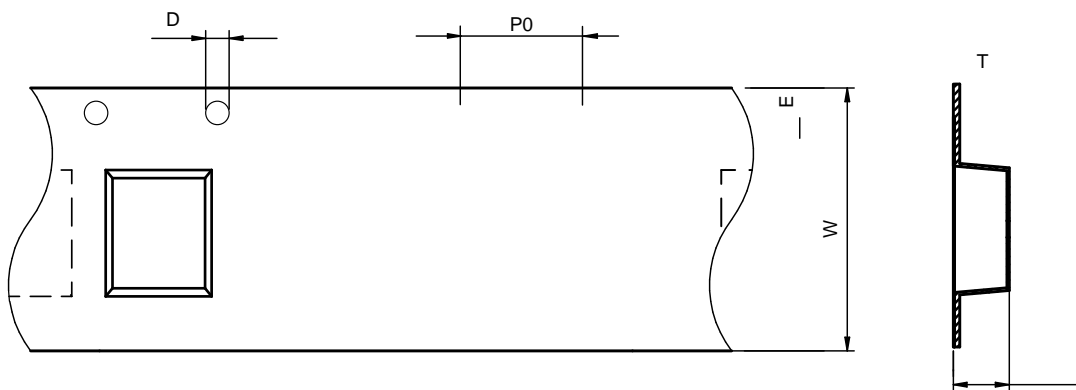
Max temperature: 260°C .

Max time at max temperature: 10 sec.

Allowed Reflow time: 3x max.

Packaging Information:

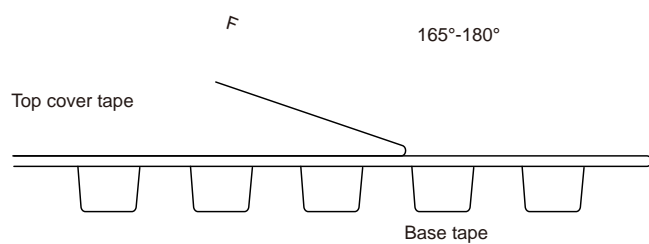
Tape Dimension:



Series	A0 (mm)	B0 (mm)	D (mm)	P0 (mm)	P1 (mm)	W (mm)	K0 (mm)	E (mm)	T (mm)
BCMA1210	1.12 ± 0.1	1.40 ± 0.1	1.5 ± 0.1	4.0 ± 0.1	4.0 ± 0.1	8.0 ± 0.3	1.05 ± 0.1	1.75 ± 0.1	0.22 ± 0.05



Peel force of top cover tape:



Reel Dimension: [mm]178S09.0875



Cautions and Warnings:

Storage Conditions :

- The storage period is within 12 months after the completion of production. Be sure to follow the storage conditions (temperature: -5 to 35°C, humidity: 75% RH Max).If the storage period elapses, the soldering of the terminal electrodes may deteriorate.The warranty period is one year.
- Product should not be exposed to environment with high temperature, high humidity, dust, corrosive gas and etc.
- Products should be handled with care to avoid damage or contamination from perspiration and skin oils.
- Please always handle products carefully to prevent any damage caused by dropping down or inappropriate removing.

Operation Instructions:

-
-
-
-